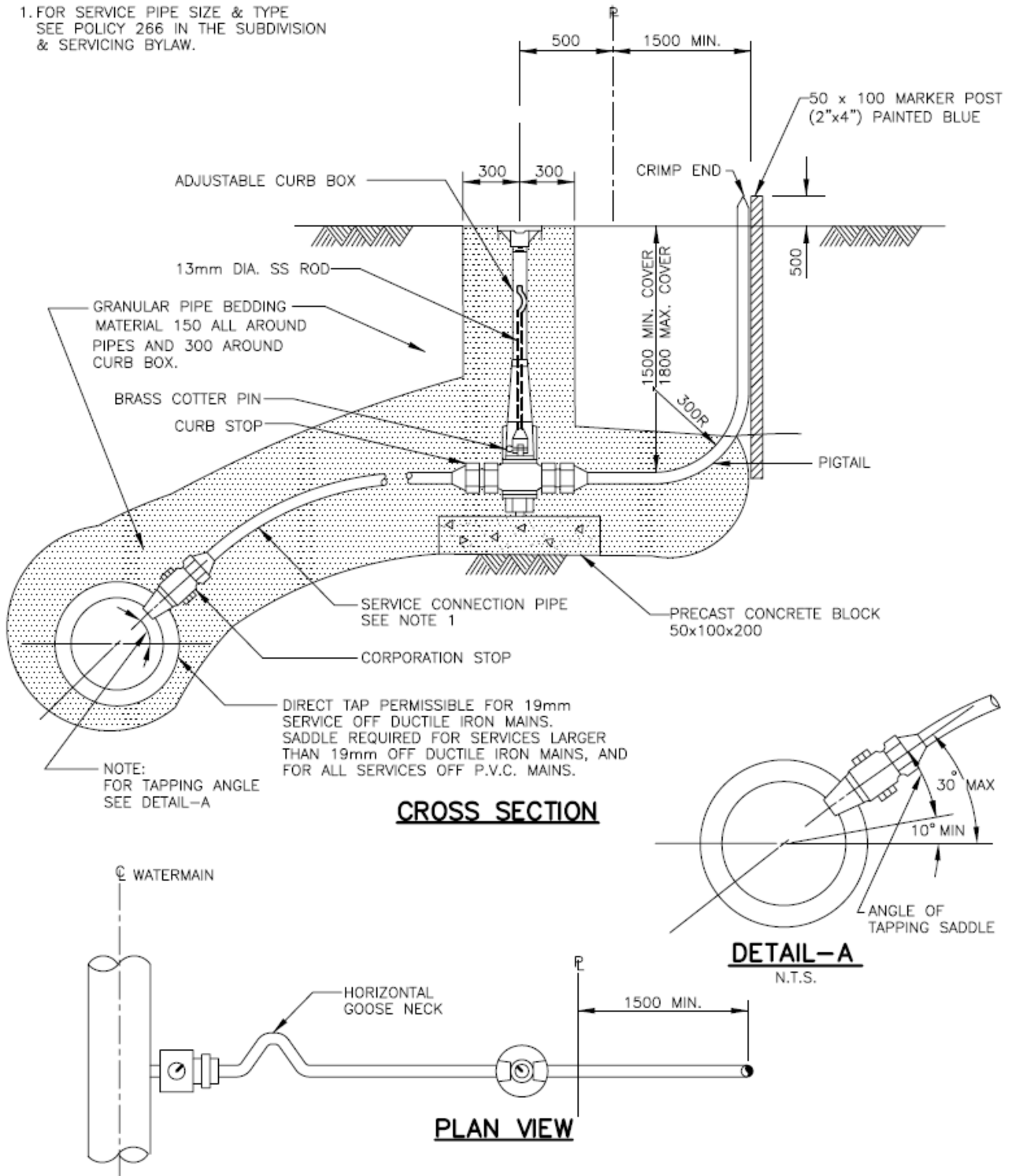


STANDARD DETAIL DRAWINGS

NOTES:

1. FOR SERVICE PIPE SIZE & TYPE
SEE POLICY 266 IN THE SUBDIVISION
& SERVICING BYLAW.



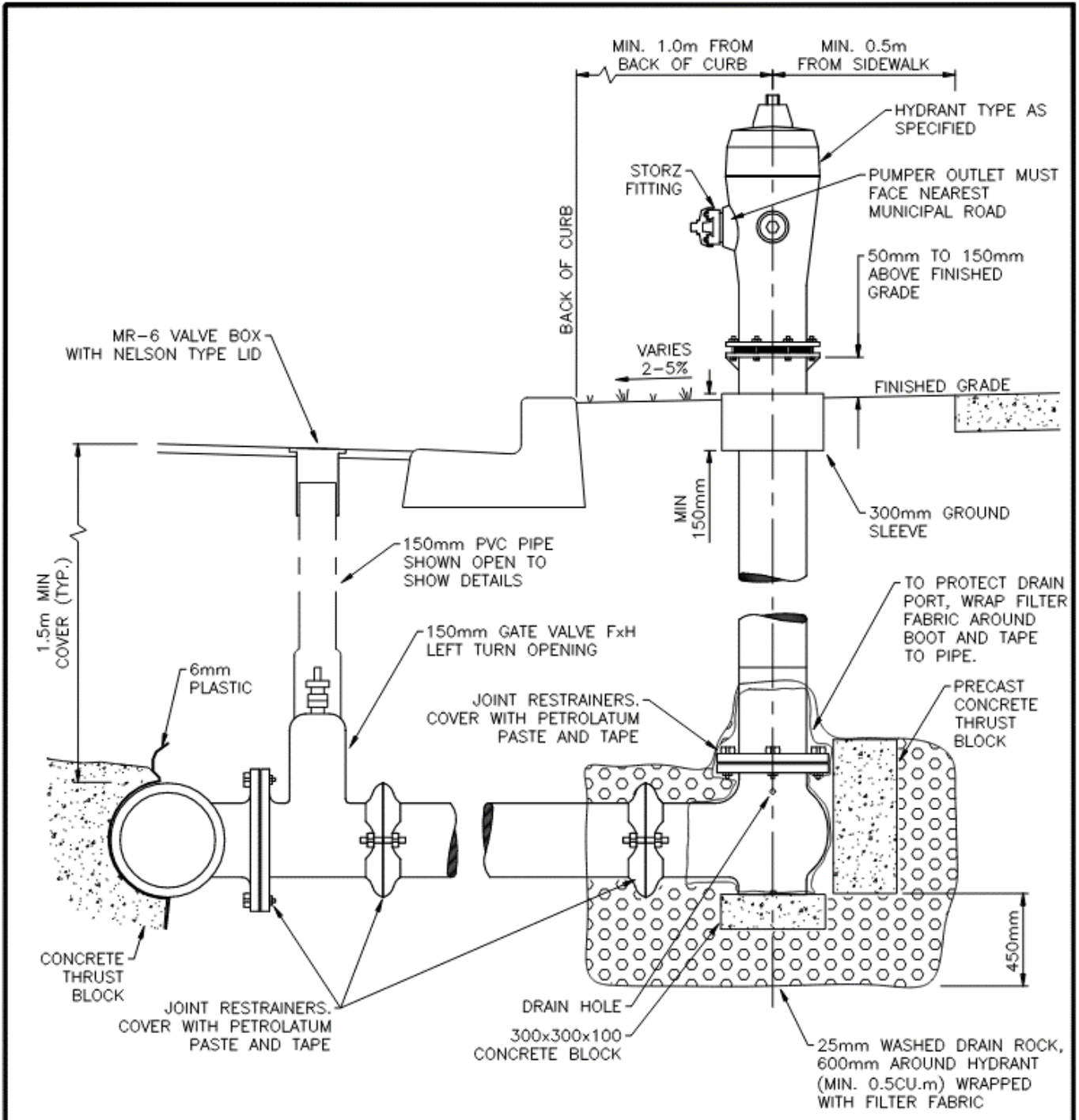
WATER SERVICE CONNECTION

SS-W2

APRIL 15/08

P: \UKAF IING\SIU-DWGS\MMCU\SS-W2

BYLAW NOTE

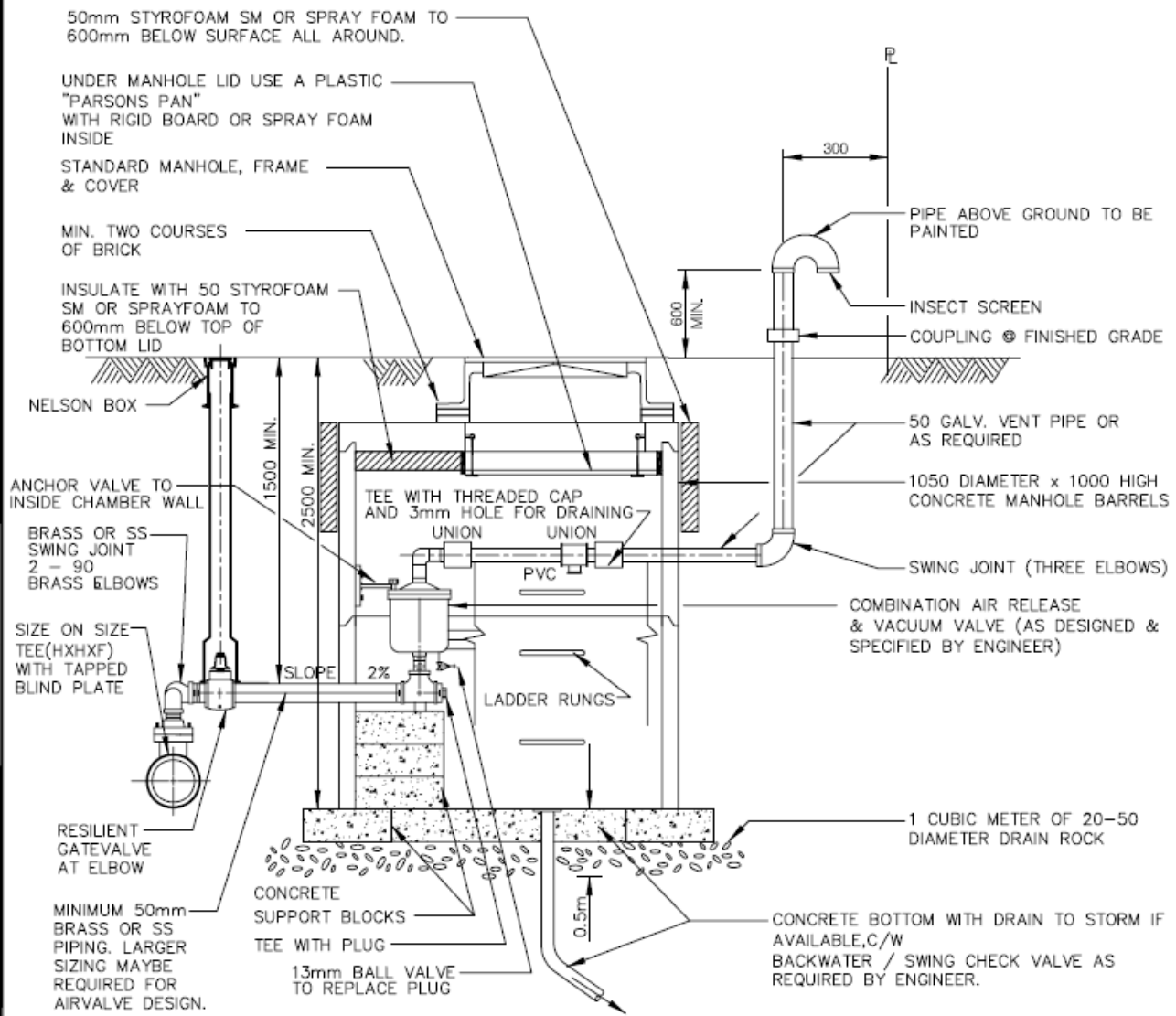


NOTES:

1. HYDRANTS - IN ACCORDANCE WITH APPROVED PRODUCTS LIST.
2. HYDRANTS SHALL HAVE 2 - 63.5mm OUTLETS B.C. STANDARD AND 1 - 100mm PUMPER OUTLET WITH STORZ FITTING
3. ALL HYDRANTS TO HAVE 300mmØ GROUND SLEEVE (SDR 35 PVC)
4. SEE APPROVED PRODUCTS LIST FOR HYDRANT PAINT TYPE AND COLOR CODE.
5. FOR ALL BOLTS AND JOINT RESTRAINERS, USE DENSO PASTE AND TAPE.
6. MAINTAIN 1.0m MINIMUM CLEARANCE FROM ANY HYDRANT PROJECTION AROUND HYDRANT.
7. FOR HYDRANTS NOT PROTECTED BY A BARRIER CURB, SEE DETAIL DRAWINGS SS-C12B - BOLLARDS.
8. HYDRANT NOT TO INTRUDE INTO SIDEWALK OR PUBLIC CORRIDORS.

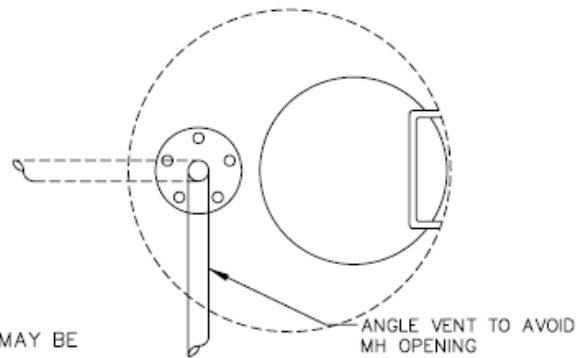
| | | | | |
|--|-----------|----------------|--------------|---|
| STANDARD DETAIL DRAWING | DATE: | HYDRANT | DWG. NO. |  |
| | JUN 22/23 | | SS-W4 | |
| | SCALE: | | | |
| NTS | | | | |

STANDARD DETAIL DRAWINGS



NOTES:

1. AIR VALVE ASSEMBLY IS FOR 25 OR 50 AIR VALVES
2. LOCATE AIR VALVE AWAY FROM TRAFFIC (i.e. BOULEVARD)
3. LOCATE VENT PIPE AWAY FROM LADDER RUNGS.
4. ABOVE GROUND INSTALLATIONS (SHUCH AS "HOT BOXES") MAY BE REQUIRED BY THE UTILITY.

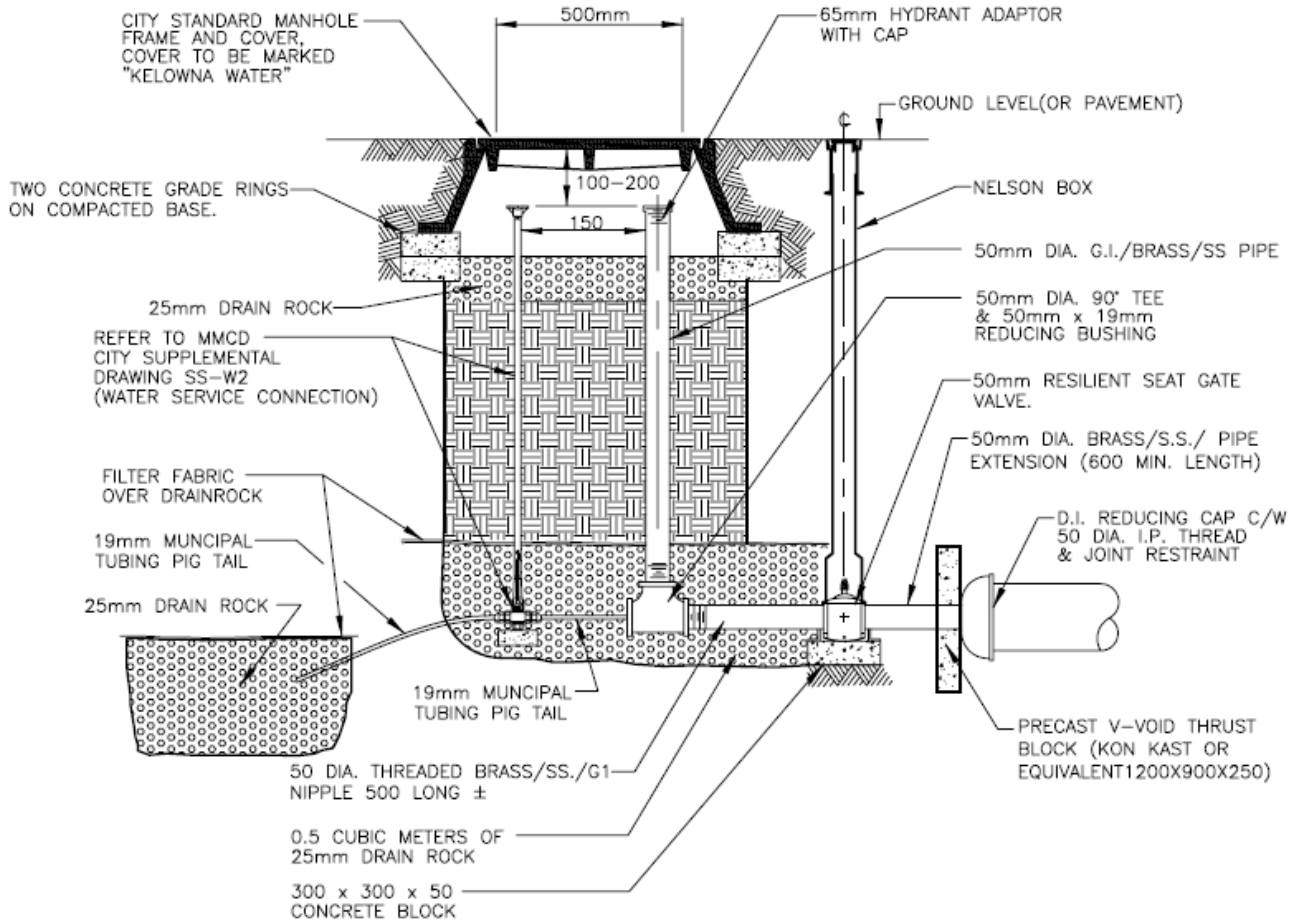


PLAN VIEW

AIR VALVE ASSEMBLY

SS-W6

STANDARD DETAIL DRAWINGS



NOTES:

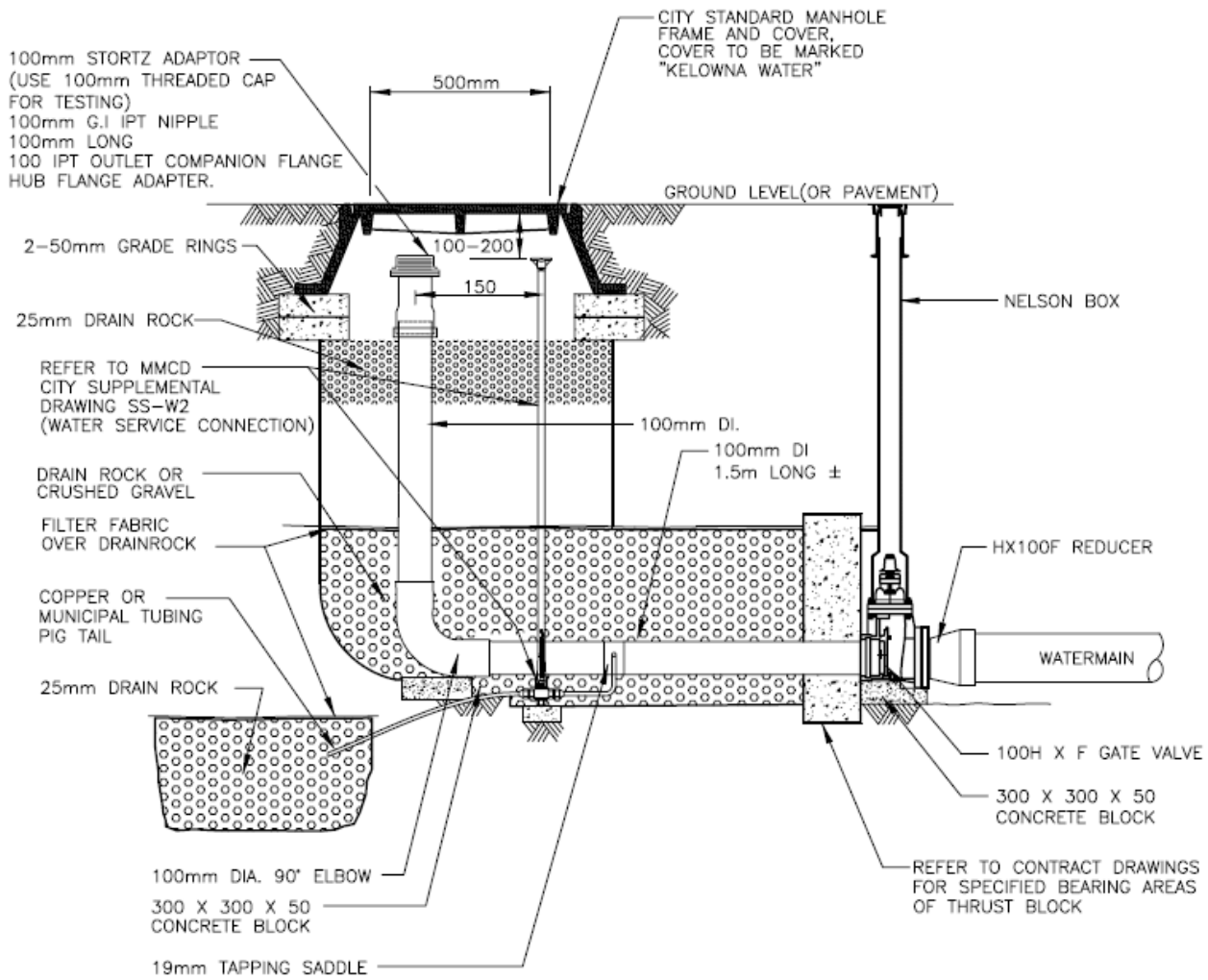
1. SIZE BLOW-OFF ASSEMBLY TO ACHIEVE SPECIFIED MAIN FLUSHING VELOCITY.
2. ENTIRE ASSEMBLY TO BE PRESSURE TESTED.
3. FOR ALL BOLTS AND JOINT RESTRAINERS USE DENSO PASTE AND TAPE.

50mm BLOW-OFF
(FOR MAINS 100mm & SMALLER)

APRIL 15/08

SS-W8a

STANDARD DETAIL DRAWINGS



NOTES:

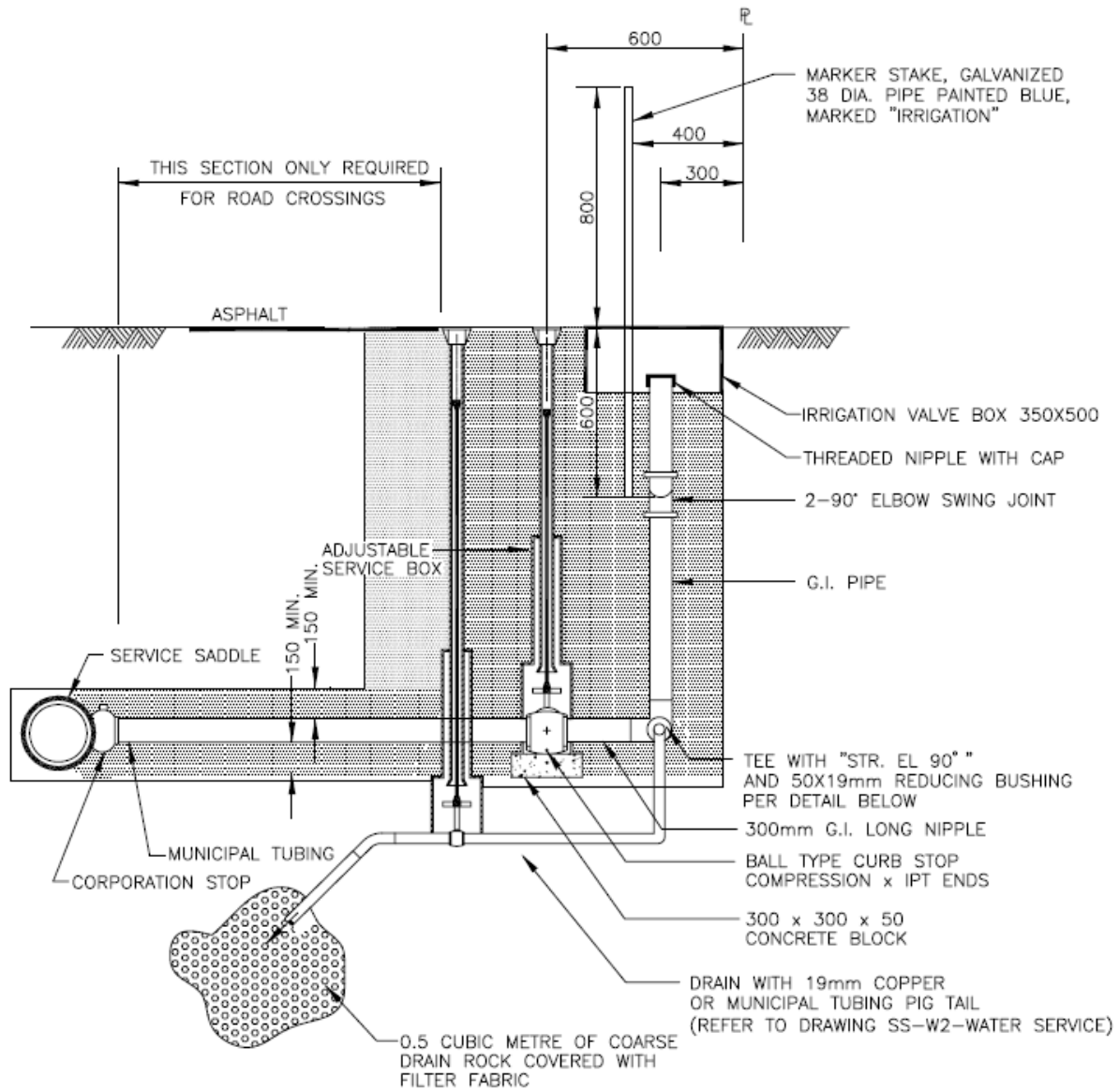
1. USE JOINT RESTRAINTS FOR ALL JOINTS.
2. ALL JOINT RESTRAINTERS TO BE APPROVED AS PER POLICY 266 IN THE CITY OF KELOWNA SUBDIVISION AND SERVICING BYLAW.
3. ALL JOINTS TO BE RESTRAINED AS PER MMCD 02666, 2.2.13 AND THE CITY OF KELOWNA SUBDIVISION AND SERVICING BYLAW SCHEDULE 4 WATER, SECTION 1.13, AND/OR AS SPECIFIED IN THE CONTRACT DOCUMENTS OR DRAWINGS.
4. ENTIRE ASSEMBLY TO BE PRESSURE TESTED.
5. FOR ALL BOLTS AND JOINT RESTRAINTERS, USE DENSO PASTE AND TAPE.
6. PVC C900 PIPE MAYBE APPROVED BY UTILITIES OTHER THAN THE CITY

100mm BLOW-OFF
(FOR MAINS 150mm & LARGER)

APRIL 15/08

SS-W8b

STANDARD DETAIL DRAWINGS



NOTES:

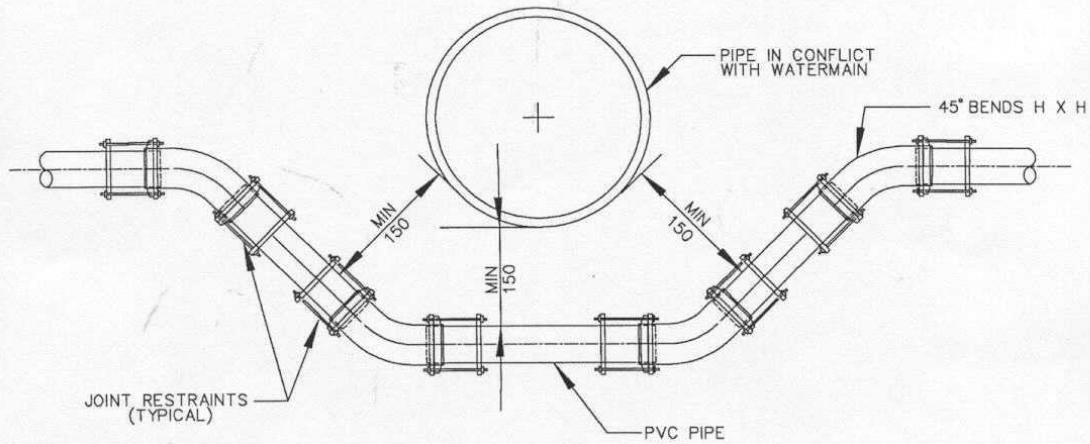
1. REFER TO BEDDING AND BACKFILL STANDARDS FOR DETAILS.

IRRIGATION SERVICE

SS-W50

APRIL 15/08

STANDARD DETAIL DRAWINGS



TYPICAL SECTION

NOTES:

1. ALL JOINT RESTRAINERS TO BE APPROVED AS PER POLICY 266 IN THE CITY OF KELOWNA SUBDIVISION AND SERVICING BYLAW.
2. ALL JOINTS TO BE RESTRAINED AS PER MMCD 02666, 2.2.13 AND THE CITY OF KELOWNA SUBDIVISION AND SERVICING BYLAW SCHEDULE 4 WATER, SECTION 1.13, AND/OR AS SPECIFIED IN THE CONTRACT DOCUMENTS OR DRAWINGS.

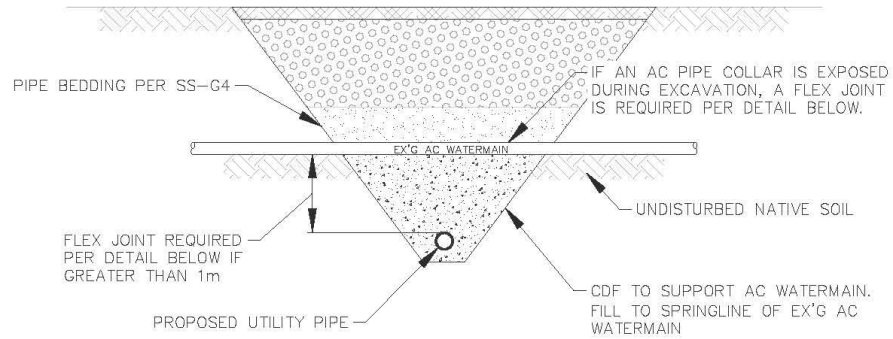
\\WU\DRAWING\STD-DWGS\MCD-STD\SS-W51.dwg

**U-BEND DETAIL
(PIPE CROSSING CONFLICT)**

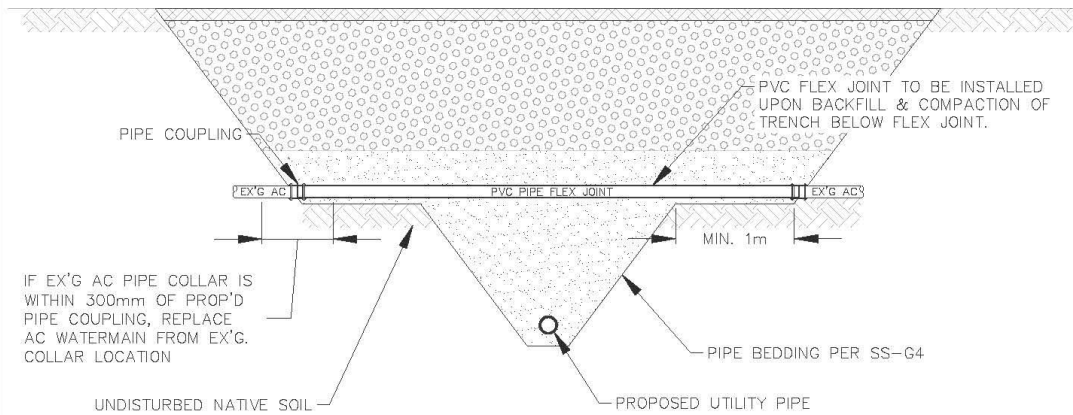
REV. SEPT. 27/01

SS-W51

STANDARD DETAIL DRAWINGS



CDF SUPPORTED CROSSING



FLEX JOINT CROSSING

NOTES:

1. TRENCHING TO COMPLY WITH WORKSAFE REGULATIONS.
2. PIPE BEDDING & TRENCH BACKFILL TO BE PER SS-G4.
3. SURFACE RESTORATION TO BE AS REQUIRED PER SS-G5.
4. FLEX JOINT REQUIRED IF EXISTING WATERMAIN IS CLASS 100 AC.
5. PROPOSED AND EXISTING MAINS WITHIN CDF TO BE WRAPPED WITH POLY.
6. BASE OF CDF AREA TO BE TWICE THE DIAMETER OF THE SUPPORTED MAIN.
7. PIPE & COUPLINGS TO BE PER APPROVED PRODUCTS LIST.

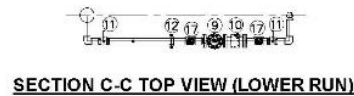
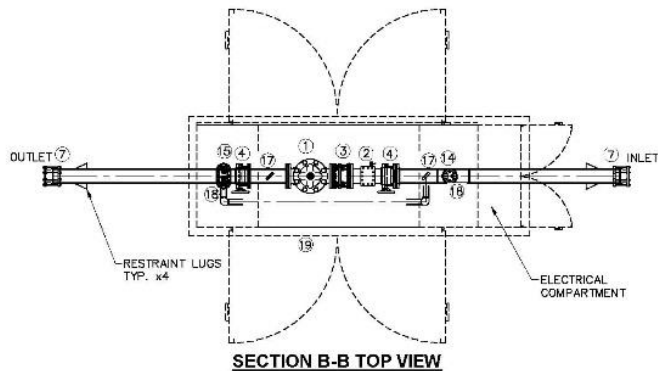
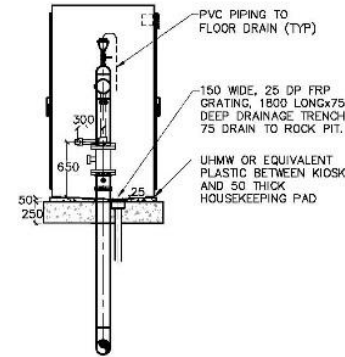
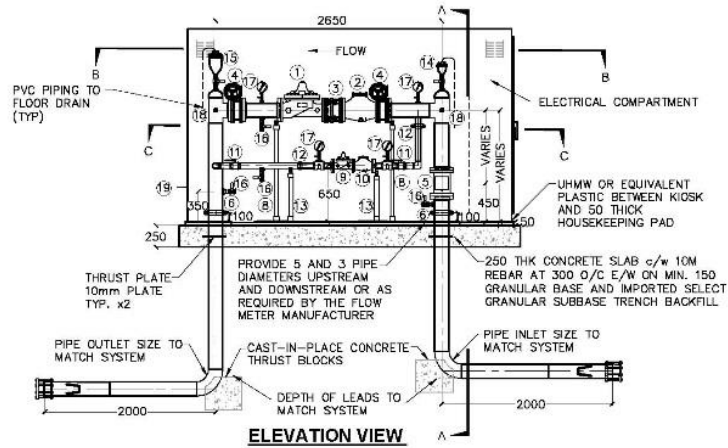
AC WATERMAIN CROSSINGS

SS-W52

SCALE: NTS

2018-02-19

STANDARD DETAIL DRAWINGS



NOTES:

1. ALL PIPE & FITTINGS TO BE PER APPROVED PRODUCTS LIST.
2. ALL PIPING 316 STAINLESS STEEL.
3. COORDINATE WITH FORTIS TO PROVIDE A 120/240 VAC, 100A SERVICE C/W CABLE PULL BOX IN KIOSK.
4. KIOSK TO BE SUPPLIED WITH
 - 500W BASEBOARD HEATER AND TWO VENTILATION FANS C/W HEATING AND COOLING THERMOSTATS
 - TEMPERATURE AND HUMIDITY TRANSMITTER
 - FLOW TRANSDUCER AND FLOW INDICATING TRANSMITTER
 - 2-15A GFCI RECEPTACLES
 - DATA RADIO AND YAGI ANTENNA
 - 1000V UPS
 - O&M MANUALS

| MATERIALS LIST | | |
|----------------|-----|---|
| ITEM | QTY | DESCRIPTION |
| 1 | 1 | PRESSURE REDUCING VALVE W/ POSITION INDICATOR, AWWA EPOXY COATING AND S.S. TRIM - APPROVED SUPPLIERS: CLA-VAL OR SINGER |
| 2 | 1 | "H" STRAINER W/ EPOXY COATING, S.S. HARDWARE AND S.S. BLOWDOWN VALVES - APPROVED SUPPLIERS: CLA-VAL OR SINGER |
| 3 | 1 | DISMANTLING JOINT W/ S.S. FASTENERS - APPROVED SUPPLIERS: ROBAR OR OTHER APPROVED SUPPLIER |
| 4 | 2 | BUTTERFLY VALVE W/ S.S. DISC AND HANDWHEEL - APPROVED SUPPLIERS: WUELLER, DEZURIK OR VICTAULIC |
| 5 | 1 | MAG METER W/ REMOTE DISPLAY IN ELECTRICAL CABINET-APPROVED SUPPLIERS: SIEMENS OR ROSEMOUNT |
| 6 | 2 | RIGID COUPLING FOR S.S. - APPROVED SUPPLIERS: VICTAULIC OR SHURJOINT |
| 7 | 2 | EXTERNAL TRANSITION COUPLING - APPROVED SUPPLIERS: ROBAR OR OTHER APPROVED SUPPLIER |
| 8 | 2 | CWS ADJ. GALV. STEEL PIPE SUPPORT |
| 9 | 1 | PRESSURE REDUCING VALVE W/ POSITION INDICATOR, AWWA EPOXY COATING AND S.S. TRIM - APPROVED SUPPLIERS: CLA-VAL OR SINGER (BYPASS) |
| 10 | 1 | "H" STRAINER W/ EPOXY COATING, S.S. HARDWARE AND S.S. BLOWDOWN VALVES - APPROVED SUPPLIERS: CLA-VAL OR SINGER (BYPASS) |
| 11 | 2 | S.S. BALL VALVE (BYPASS) |
| 12 | 2 | RIGID COUPLING FOR S.S. - APPROVED SUPPLIERS: VICTAULIC OR SHURJOINT (BYPASS) |
| 13 | 2 | CWS ADJ. GALV. STEEL PIPE SUPPORT (BYPASS) |
| 14 | 1 | AIR RELEASE VALVE W/ S.S. ISOLATION VALVE AND VENT PIPE - APPROVED SUPPLIERS: VALMATIC OR VENT-O-MAT |
| 15 | 1 | COMBINATION AIR RELEASE VALVE W/ S.S. ISOLATION VALVE AND VENT PIPE - APPROVED SUPPLIERS: VAL-MATIC OR VENT-O-MAT |
| 16 | 4 | THREADDLET W/ S.S. BALL VALVE AND PLUG |
| 17 | 4 | (100mm) LIQUID FILLED PRESSURE GAUGE (6MM NPT) W/ S.S. ISOLATION BALL VALVES AND TEE OR WELDOLET AS REQUIRED - APPROVED SUPPLIERS: SIEMENS OR ABB |
| 18 | 2 | (19mm) THREADDLET FOR WALL MOUNTED PRESSURE TRANSMITTER W/ S.S. BALL VALVE - APPROVED SUPPLIERS: SIEMENS OR ABB |
| 19 | 1 | ALUMINUM QUAD DOOR KIOSK WITH END CABINET PER APPROVED PRODUCTS LIST |

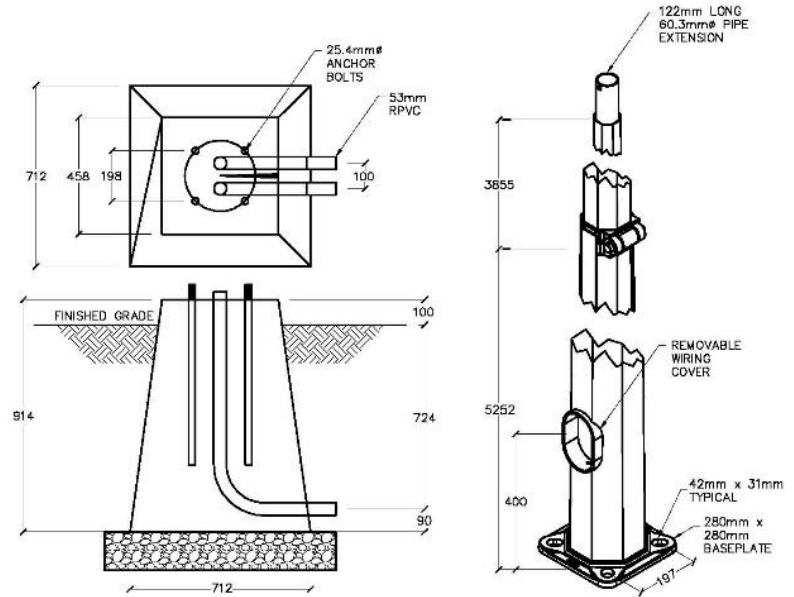
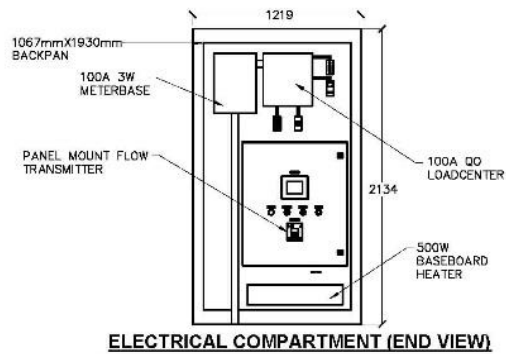
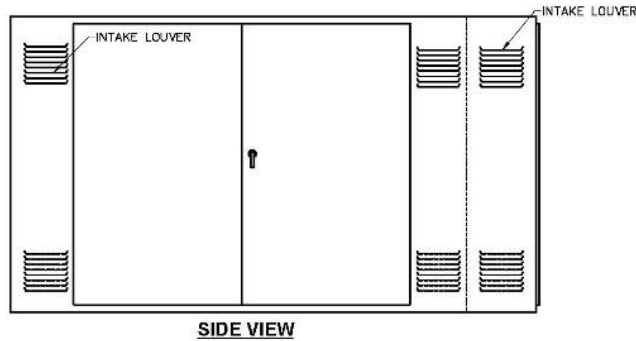
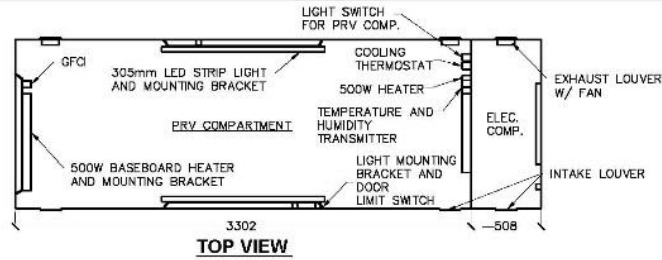
PRESSURE REDUCING STATION

SCALE NTS

2018-06-12

SS-W53a

STANDARD DETAIL DRAWINGS



RADIO ANTENNA POLE AND BASE DETAILS

ANTENNA MAST: WEST COAST ENGINEERING 19430 9107mm OVERALL HEIGHT FINGED POLE, HOT DIPPED GALVANIZED. MOUNT ANTENNA MAST ASSEMBLY ON KON KAST (KELOWNA, B.C.) NUMBER 1045 STANDARD BASE

PRESSURE REDUCING STATION

